

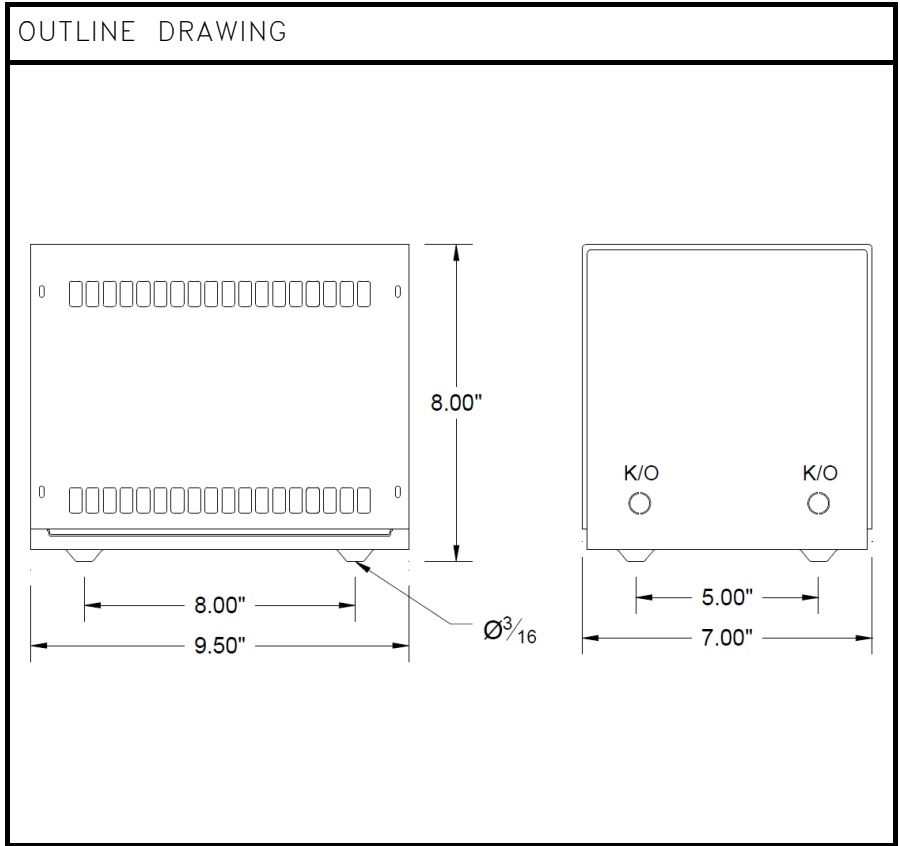


BEAVER ELECTRICAL MACHINERY
 7440 LOWLAND DRIVE, BURNABY, BC, CANADA
 TEL: (604) 431-5000 FAX: (604) 431-5066
 www.beaverelectrical.com

AVR SERIES
 SPECIFICATION SHEET

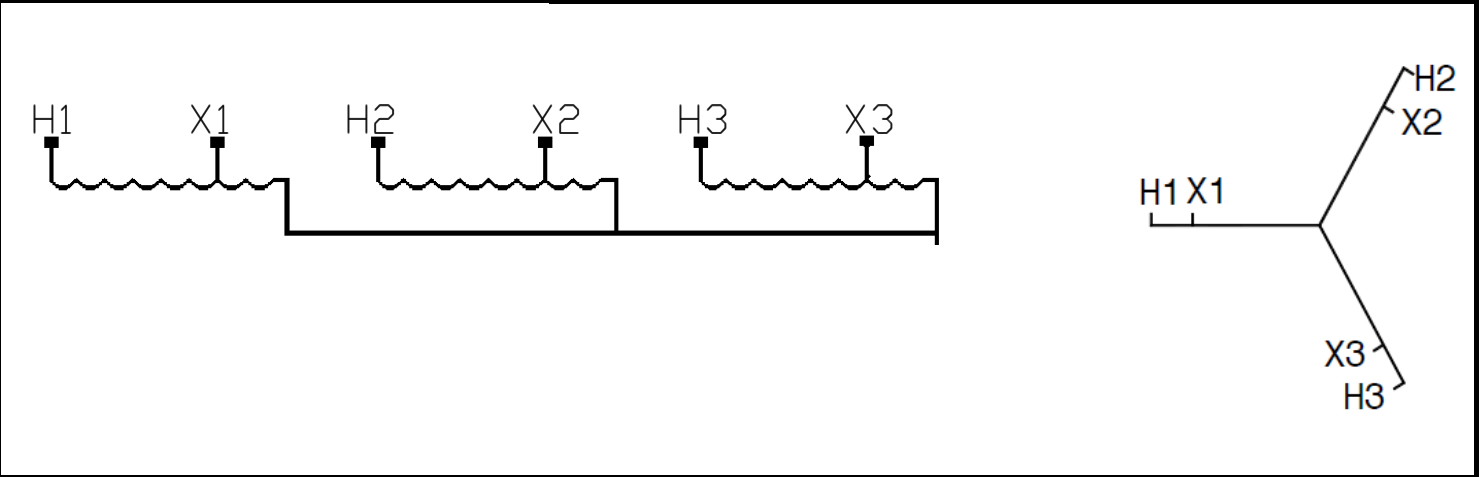
3 PHASE AUTOTRANSFORMER
 TYPE: DRY TYPE

CAT. NO.: AVR3TS4C
 KVA: 3
 PRIMARY VOLT: 600 Y
 SECONDARY VOLT: 480 Y
 PHASE: 3
 FREQ: 60 HZ
 WINDING MATL: Copper
 WEIGHT: 30 LBS
 INSUL. CLASS: 180°C
 TEMP. RISE: 115°C
 IMPEDANCE: 3.0-4.0%
 TAPS: No Taps
 BIL: 10 kV
 ENCLOSURE: NEMA 1
 NEMA 3R with optional kit
 APPROVALS: UL, CSA



WIRING AND CONNECTION DIAGRAM

PRI VOLT		PRI LINE CONN	SEC VOLT	PHASE	SEC LINE CONN
600		H1, H2, H3	480	3	X1, X2, X3



NOTE: Specifications and dimensions subject to change without notice