



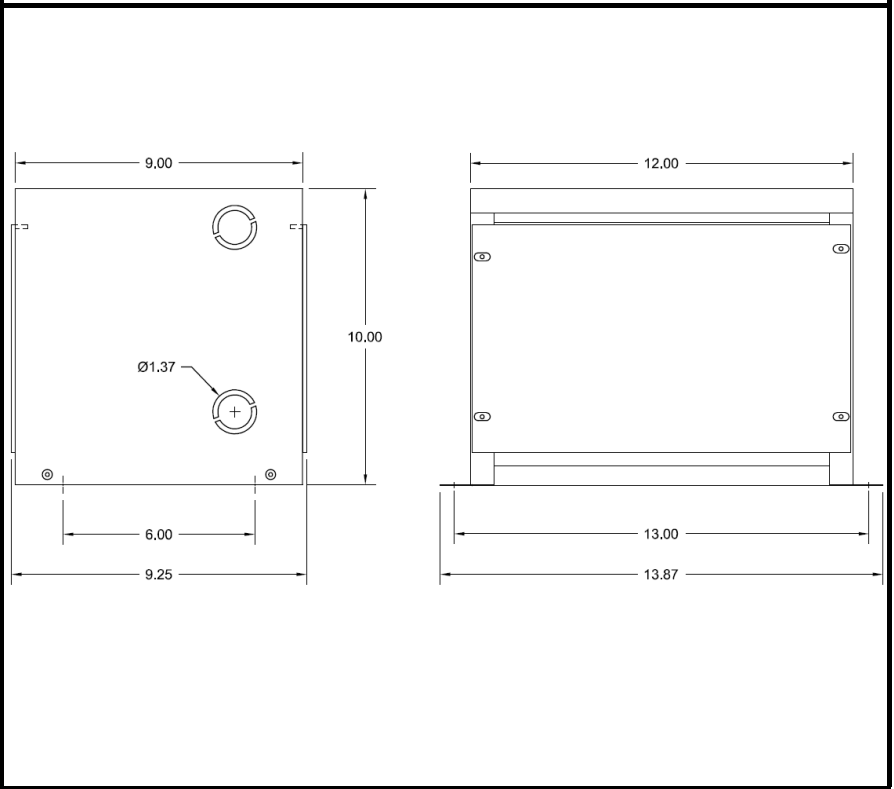
BEAVER ELECTRICAL MACHINERY
 7440 LOWLAND DRIVE, BURNABY, BC, CANADA
 TEL: (604) 431-5000 FAX: (604) 431-5066
 www.beaverelectrical.com

**AVR SERIES
 SPECIFICATION SHEET**

**3 PHASE TRANSFORMER
 TYPE: DRY TYPE
 FLOOR OR WALL MOUNT**

CAT. NO.: AVR3SH4C
 KVA: 3
 VOLT: 480Y / 208Y
 PHASE: 3
 FREQ: 60 HZ
 WINDING MATL: Copper
 WEIGHT: 60 LBS
 INSUL. CLASS: 185°C
 TEMP. RISE: 115°C
 IMPEDANCE: 2.0-3.0%
 BIL: 10 kV
 ENCLOSURE: TYPE 2
 APPROVALS: UL, CSA

OUTLINE DRAWING



WIRING AND CONNECTION DIAGRAM

PRI VOLT		PRI LINE CONN	SEC VOLT		SEC LINE CONN
480		H1, H2, H3	208		X1, X2, X3

