

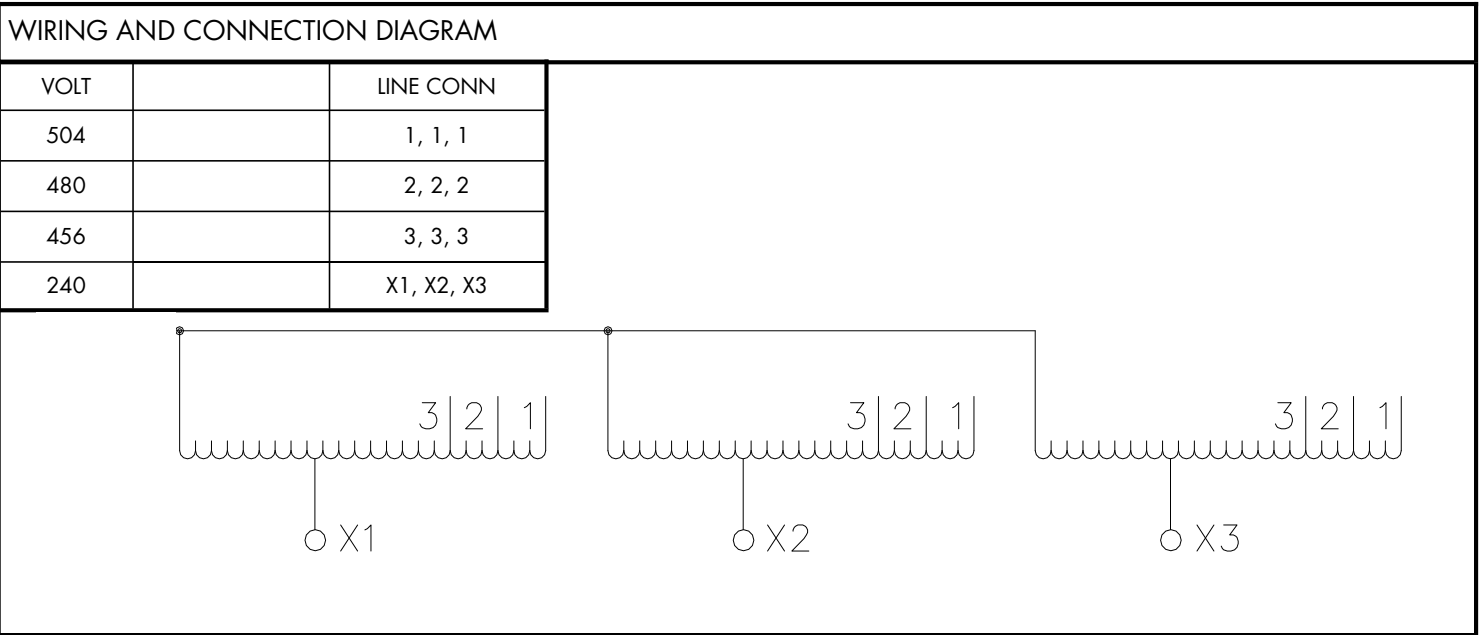
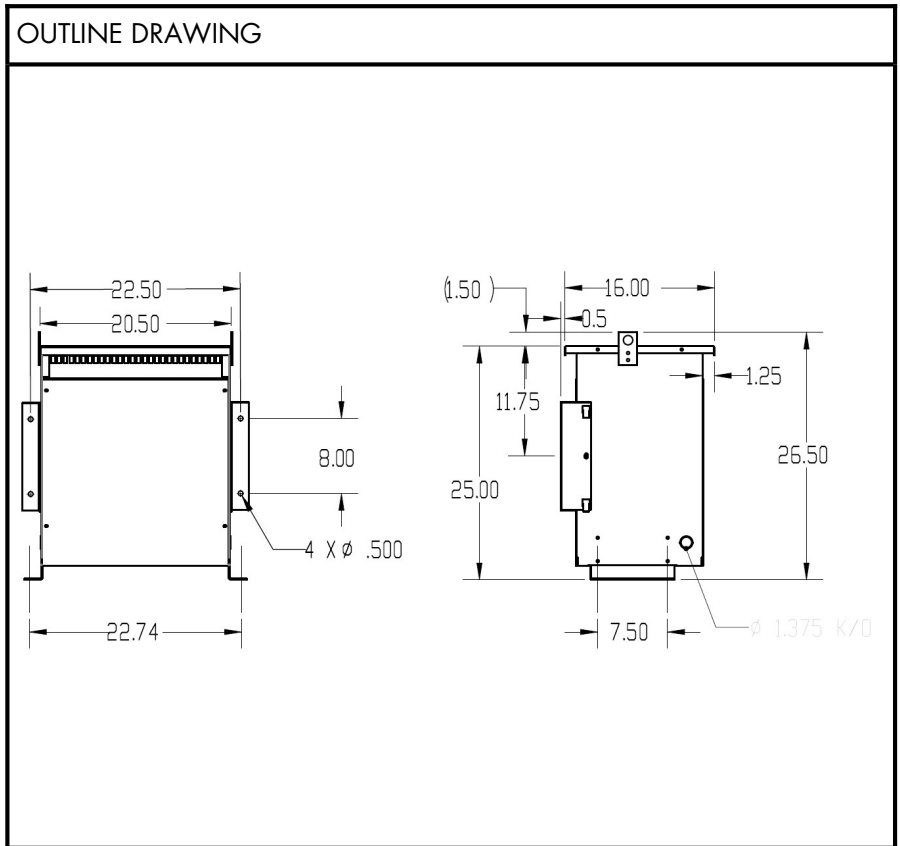


BEAVER ELECTRICAL MACHINERY
 7440 LOWLAND DRIVE, BURNABY, BC, CANADA
 TEL: (604) 431-5000 FAX: (604) 431-5066
 www.beaverelectrical.com

**AVR SERIES
 SPECIFICATION SHEET**

**3 PHASE TRANSFORMER
 TYPE: DRY TYPE
 FLOOR OR WALL MOUNT**

CAT. NO.: AVR30SK4C
 KVA: 30
 VOLT: 480Y / 240Y
 PHASE: 3
 FREQ: 60 HZ
 WINDING MATL: Copper
 WEIGHT: 225 LBS
 INSUL. CLASS: 220°C
 TEMP. RISE: 150°C
 IMPEDANCE: 3.0-4.0%
 TAPS: SEE BELOW
 BIL: 10 kV
 ENCLOSURE: TYPE 2
 TYPE 3R with optional kit
 APPROVALS: UL, CSA



NOTE: Specifications and dimensions subject to change without notice