

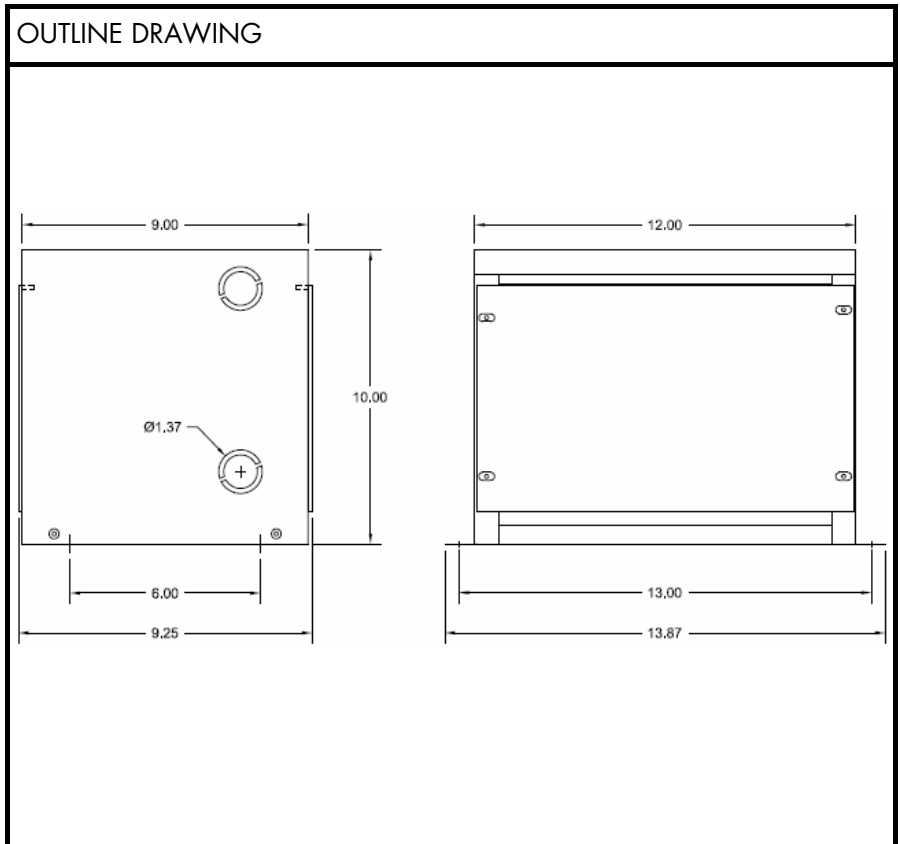


BEAVER ELECTRICAL MACHINERY
 7440 LOWLAND DRIVE, BURNABY, BC, CANADA
 TEL: (604) 431-5000 FAX: (604) 431-5066
 www.beaverelectrical.com

**AVR SERIES
 SPECIFICATION SHEET**

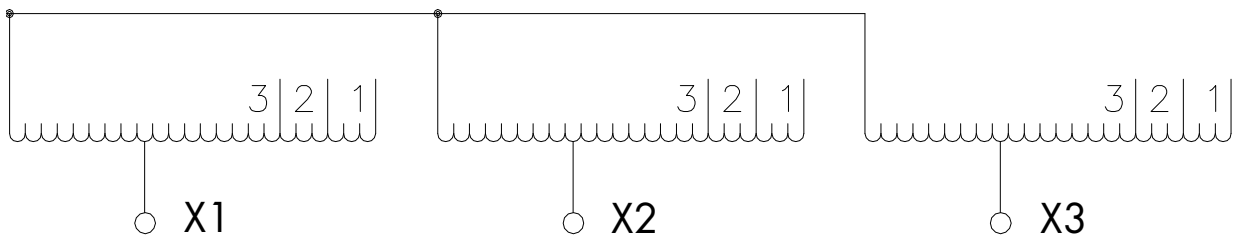
**3 PHASE TRANSFORMER
 TYPE: DRY TYPE
 FLOOR MOUNT**

CAT. NO.: AVR20KH4C
 KVA: 20
 VOLT: 240Y / 208Y
 PHASE: 3
 FREQ: 60 HZ
 WINDING MATL: Copper
 WEIGHT: 75 LBS
 INSUL. CLASS: 220°C
 TEMP. RISE: 150°C
 IZ: 2.0-3.0%
 TAPS: SEE BELOW
 BIL: 10 kV
 ENCLOSURE: NEMA 1
 NEMA 3R with optional kit
 APPROVALS: UL, CSA



WIRING AND CONNECTION DIAGRAM

VOLT	LINE CONN
252	1, 1, 1
240	2, 2, 2
228	3, 3, 3
208	X1, X2, X3



NOTE: Specifications and dimensions subject to change without notice