

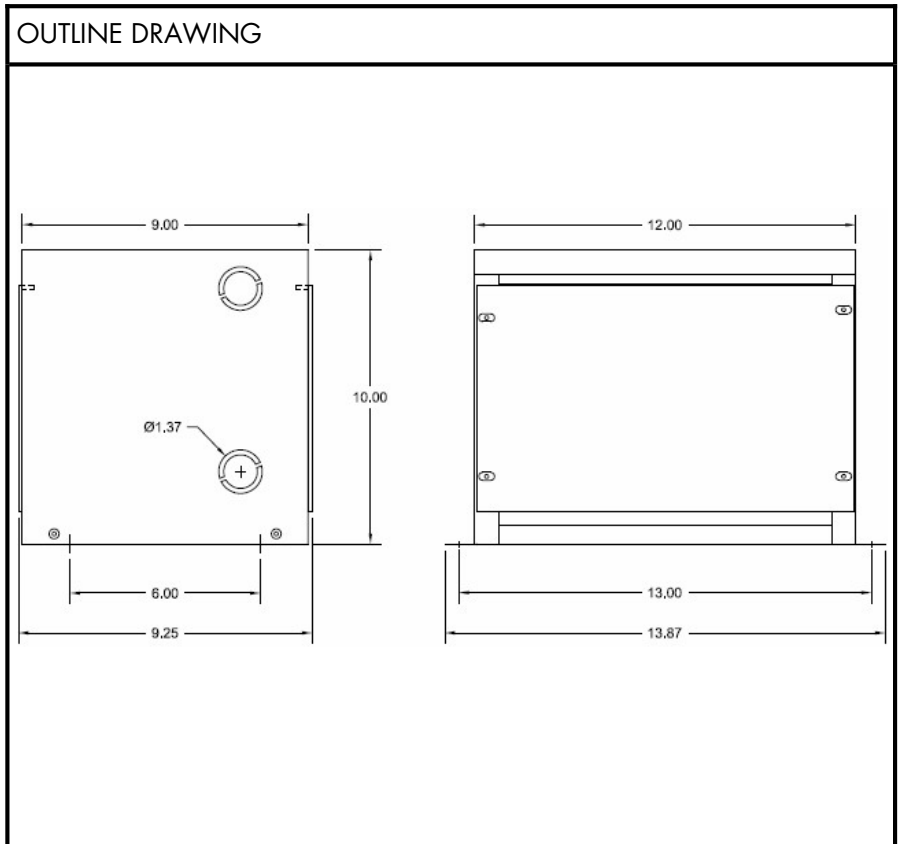


**BEAVER ELECTRICAL MACHINERY**  
 7440 LOWLAND DRIVE, BURNABY, BC, CANADA  
 TEL: (604) 431-5000 FAX: (604) 431-5066  
 www.beaverelectrical.com

**AVR SERIES  
 SPECIFICATION SHEET**

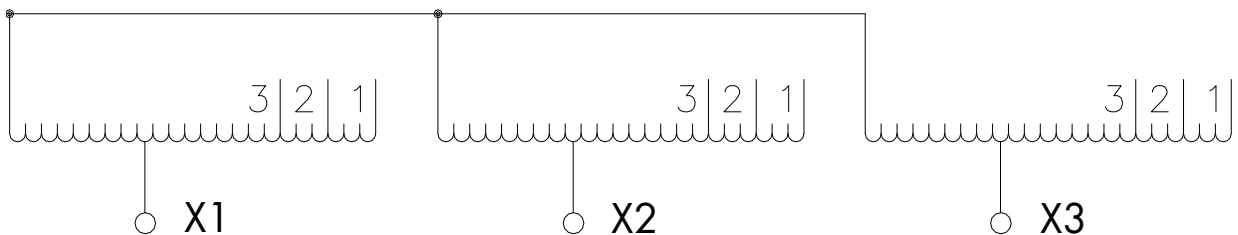
**3 PHASE TRANSFORMER  
 TYPE: DRY TYPE  
 FLOOR MOUNT**

CAT. NO.: AVR20KH4C/ST  
 KVA: 20  
 VOLT: 240/230/220/208  
 PHASE: 3  
 FREQ: 60 HZ  
 WINDING MATL: Copper  
 WEIGHT: 75 LBS  
 INSUL. CLASS: 220°C  
 TEMP. RISE: 150°C  
 IZ: 2.0-3.0%  
 TAPS: SEE BELOW  
 BIL: 10 kV  
 ENCLOSURE: NEMA 1  
 NEMA 3R with optional kit  
 APPROVALS: UL, CSA



**WIRING AND CONNECTION DIAGRAM**

VOLT	LINE CONN
240	1, 1, 1
230	2, 2, 2
220	3, 3, 3
208	X1, X2, X3



NOTE: Specifications and dimensions subject to change without notice