



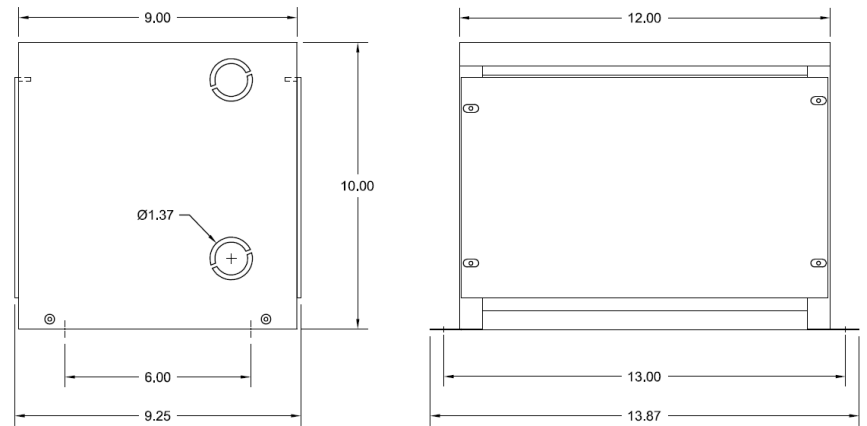
BEAVER ELECTRICAL MACHINERY
 7440 LOWLAND DRIVE, BURNABY, BC, CANADA
 TEL: (604) 431-5000 FAX: (604) 431-5066
 www.beaverelectrical.com

**AVR SERIES
 SPECIFICATION SHEET**

**3 PHASE AUTOTRANSFORMER
 TYPE: DRY TYPE**

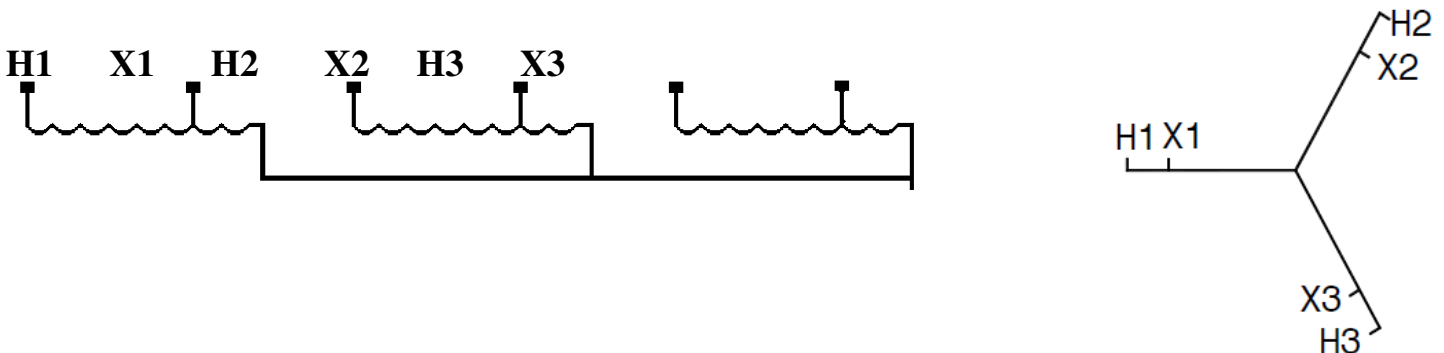
CAT. NO.: AVR1SK4C
 KVA: 1
 PRIMARY VOLT: 480 Y
 SECONDARY VOLT: 240 Y
 PHASE: 3
 FREQ: 60 HZ
 WINDING MATL: Copper
 WEIGHT: 20 LBS
 INSUL. CLASS: 220°C
 TEMP. RISE: 150°C
 IMPEDANCE: 3.0-4.0%
 TAPS: No Taps
 BIL: 10 kV
 ENCLOSURE: NEMA 1
 NEMA 3R with optional kit
 APPROVALS: UL, CSA

OUTLINE DRAWING



WIRING AND CONNECTION DIAGRAM

PRI VOLT		PRI LINE CONN	SEC VOLT	PHASE	SEC LINE CONN
480		H1, H2, H3	240	3	X1, X2, X3



NOTE: Specifications and dimensions subject to change without notice