

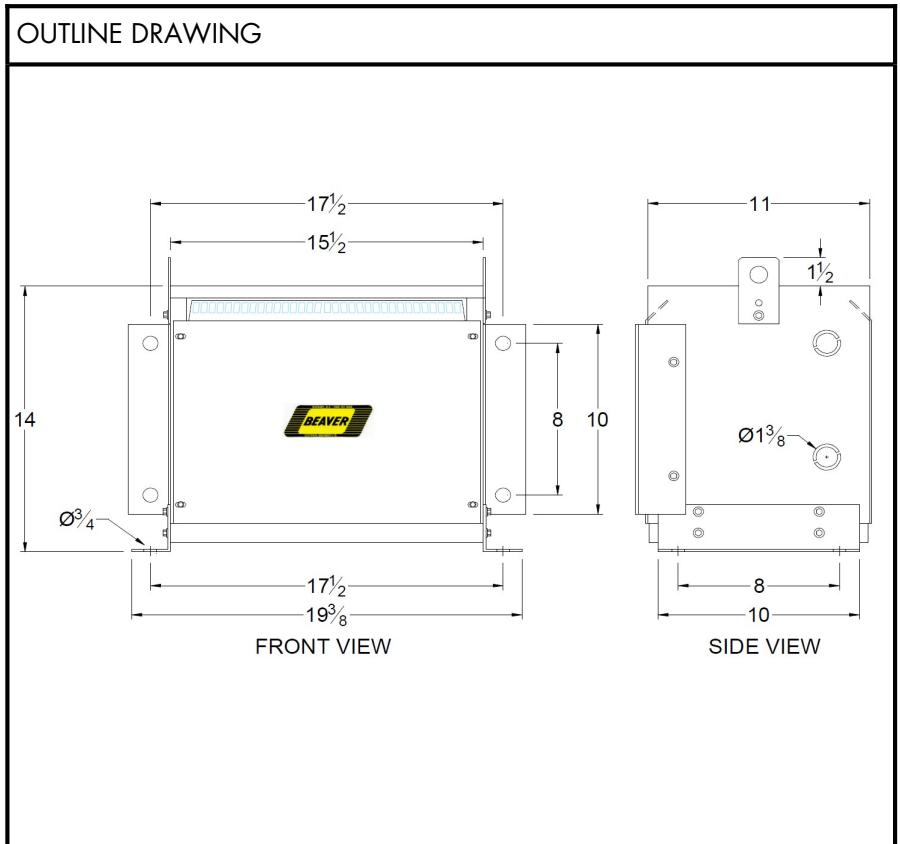


**BEAVER ELECTRICAL MACHINERY**  
 7440 LOWLAND DRIVE, BURNABY, BC, CANADA  
 TEL: (604) 431-5000 FAX: (604) 431-5066  
 www.beaverelectrical.com

**AVR SERIES  
 SPECIFICATION SHEET**

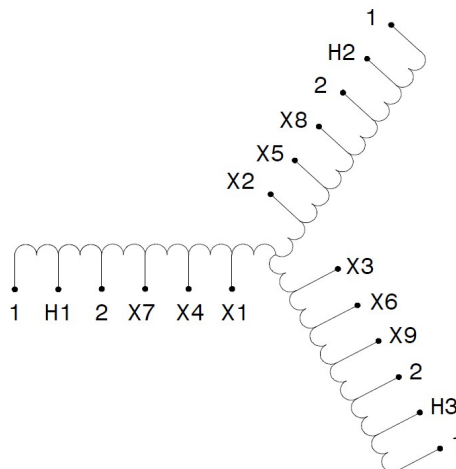
**3 PHASE TRANSFORMER  
 TYPE: DRY TYPE  
 FLOOR OR WALL MOUNT**

CAT. NO.: AVR15TSKH4C  
 KVA: 15  
 VOLT: 600Y/480Y/240Y/208Y  
 PHASE: 3  
 FREQ: 60 HZ  
 WINDING MATL: Copper  
 WEIGHT: 130 LBS  
 INSUL. CLASS: 220°C  
 TEMP. RISE: 150°C  
 IMPEDANCE: ~4.0%  
 TAPS: SEE BELOW  
 BIL: 10 kV  
 ENCLOSURE: NEMA Type 2  
 TYPE 3R with optional kit  
 APPROVALS: UL, CSA



**WIRING AND CONNECTION DIAGRAM**

VOLT	LINE CONN
630	1-1-1
600	H1-H2-H3
570	2-2-2
480	X7-X8-X9
240	X4-X5-X6
208	X1-X2-X3



Supply voltage may be connected to primary terminal marked "H" or secondary terminal marked "X"

Review CEC rule 26-266 or CEC handbook figure 26-12 for more information

NOTE: Specifications and dimensions subject to change without notice