

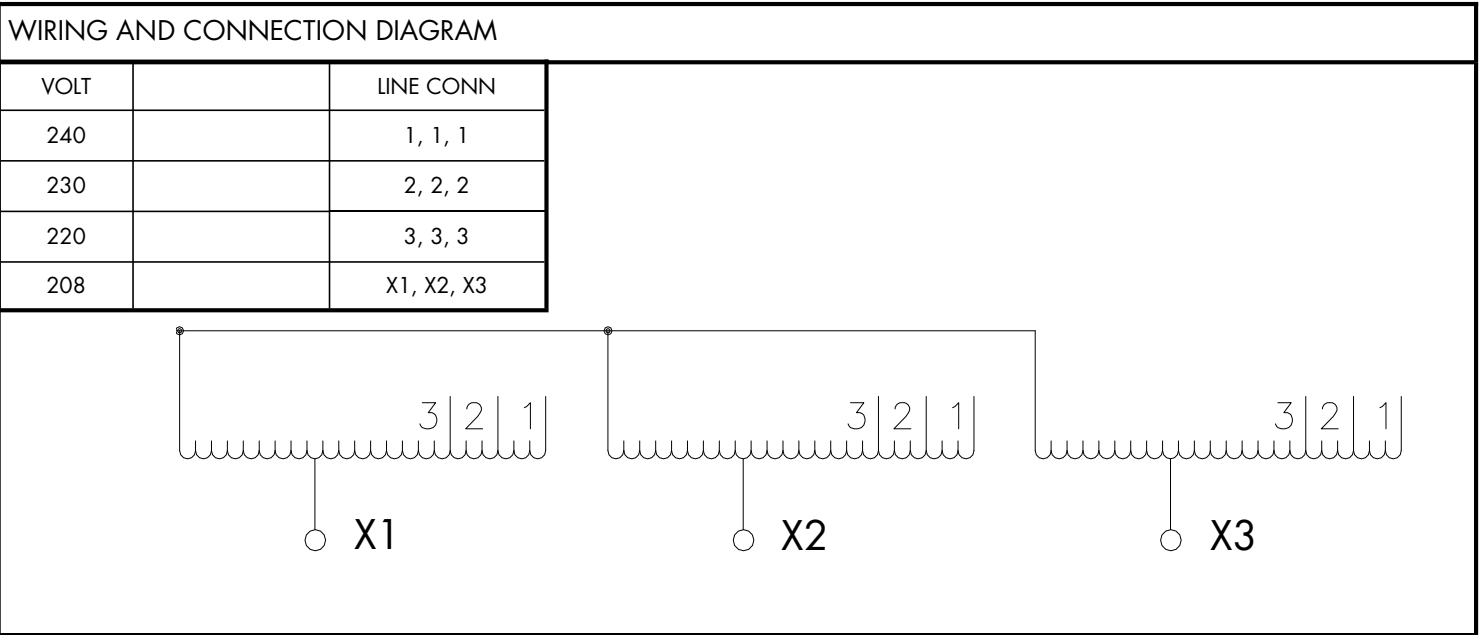
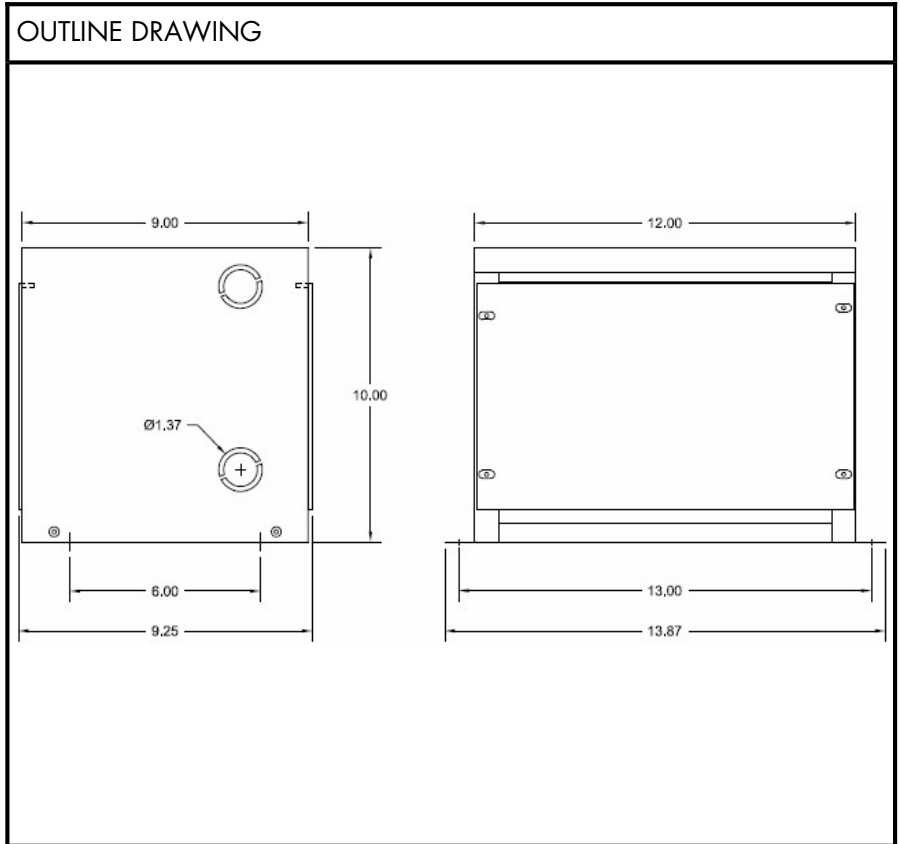


BEAVER ELECTRICAL MACHINERY
 7440 LOWLAND DRIVE, BURNABY, BC, CANADA
 TEL: (604) 431-5000 FAX: (604) 431-5066
 www.beaverelectrical.com

**AVR SERIES
 SPECIFICATION SHEET**

**3 PHASE TRANSFORMER
 TYPE: DRY TYPE
 FLOOR MOUNT**

CAT. NO.: AVR15KH4C/ST
 KVA: 15
 VOLT: 240/230/220/208
 PHASE: 3
 FREQ: 60 HZ
 WINDING MATL: Copper
 WEIGHT: 65 LBS
 INSUL. CLASS: 220°C
 TEMP. RISE: 150°C
 IZ: 2.0-3.0%
 TAPS: SEE BELOW
 BIL: 10 kV
 ENCLOSURE: NEMA 1
 NEMA 3R with optional kit
 APPROVALS: UL, CSA



NOTE: Specifications and dimensions subject to change without notice