

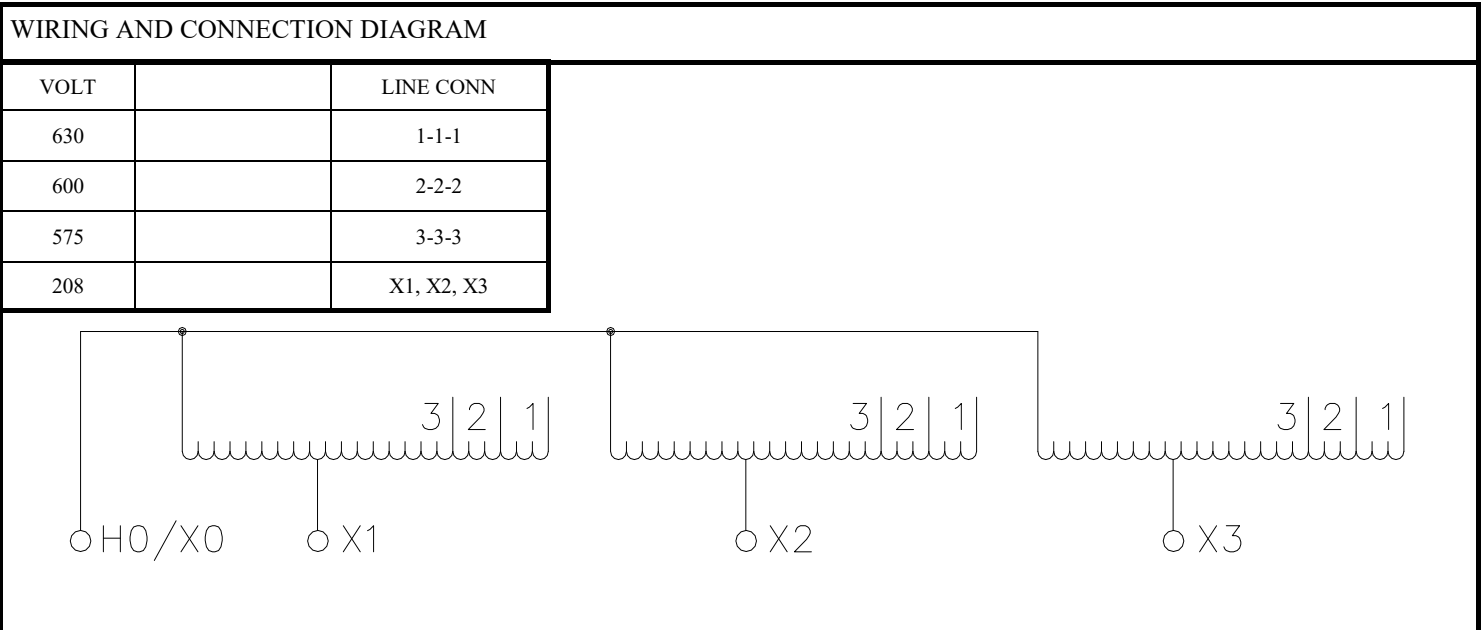
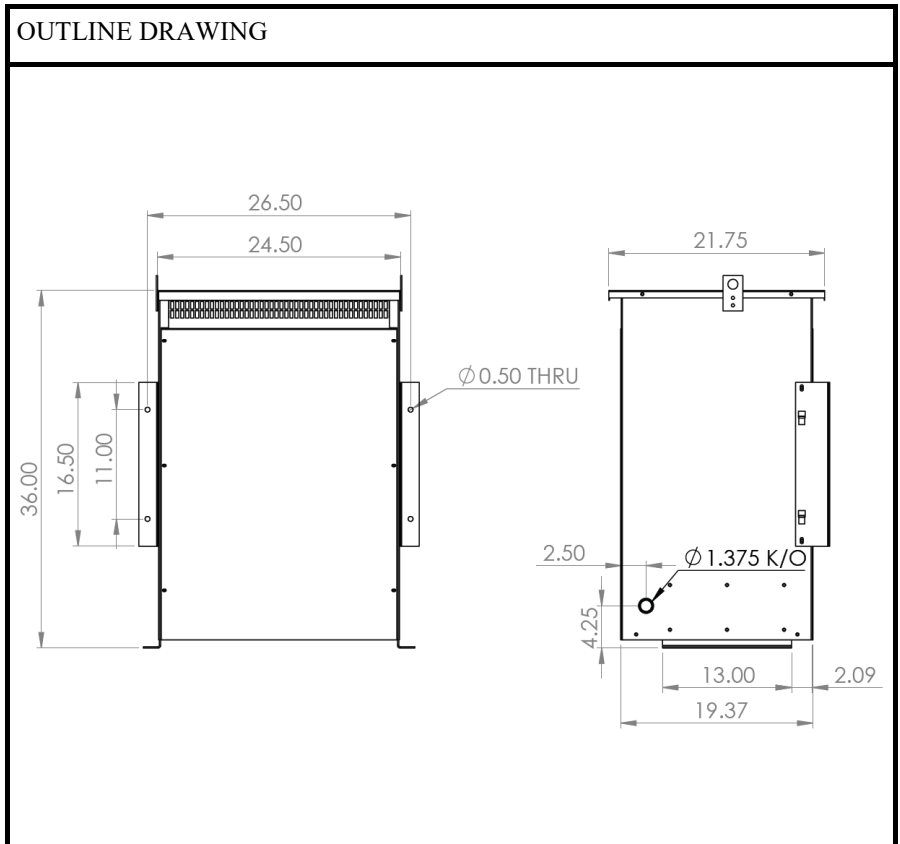


BEAVER ELECTRICAL MACHINERY
 7440 LOWLAND DRIVE, BURNABY, BC, CANADA
 TEL: (604) 431-5000
 www.beaverelectrical.com

**AVR SERIES
 SPECIFICATION SHEET**

**3 PHASE TRANSFORMER
 TYPE: DRY TYPE
 FLOOR OR WALL MOUNT**

CAT. NO.: AVR112TH4A
 KVA: 112.5
 VOLT: 600Y/208Y
 PHASE: 3
 FREQ: 60 HZ
 WINDING MATL: ALUMINIM
 WEIGHT: 500 LBS
 INSUL. CLASS: 220°C
 TEMP. RISE: 150°C
 TAPS: SEE BELOW
 BIL: 10 kV
 ENCLOSURE: Type 2
 Type 3R with optional kit
 APPROVALS: UL, CSA



NOTE: Preliminary drawing only.
 Specifications and dimensions subject to change by Beaver's Engineering Dept.