

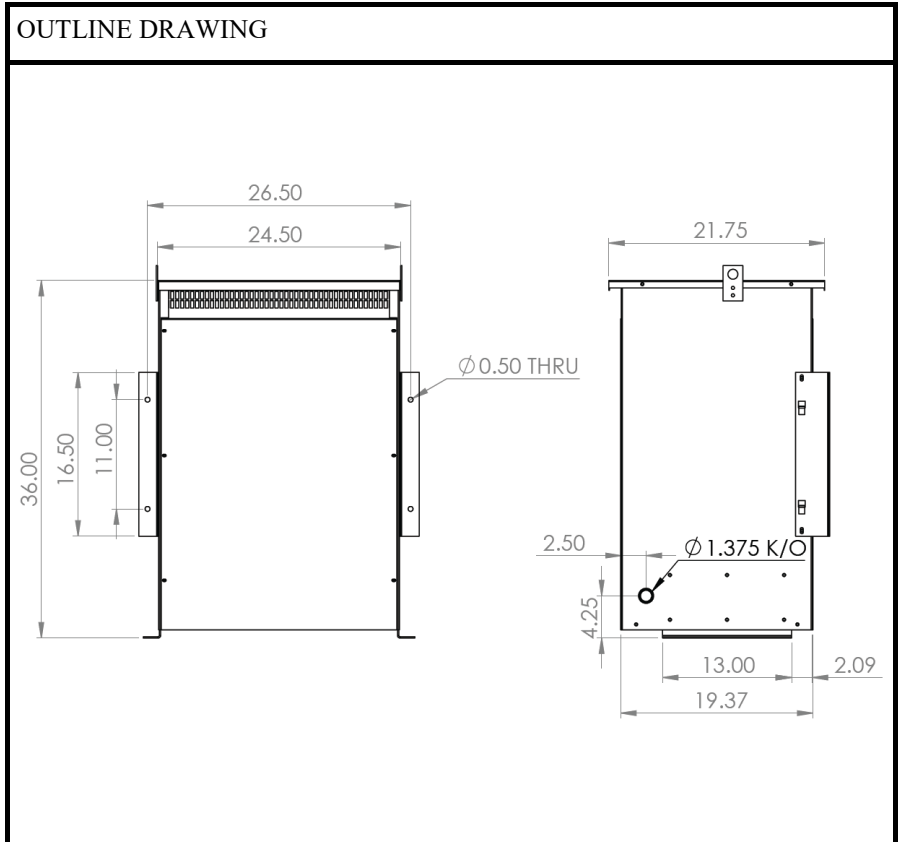


**BEAVER ELECTRICAL MACHINERY**  
 7440 LOWLAND DRIVE, BURNABY, BC, CANADA  
 TEL: (604) 431-5000 FAX: (604) 431-5066  
 www.beaverelectrical.com

**AVR SERIES  
 SPECIFICATION SHEET**

**3 PHASE TRANSFORMER  
 TYPE: DRY TYPE  
 FLOOR OR WALL MOUNT**

CAT. NO.: AVR112SH4A  
 KVA: 112.5  
 VOLT: 480Y/208Y  
 PHASE: 3  
 FREQ: 60 HZ  
 WINDING MATL: Aluminum  
 WEIGHT: 455 LBS  
 INSUL. CLASS: 220°C  
 TEMP. RISE: 150°C  
 TAPS: SEE BELOW  
 BIL: 10 kV  
 ENCLOSURE: Type 2  
 Outdoor 3R with optional kit  
 APPROVALS: UL, CSA

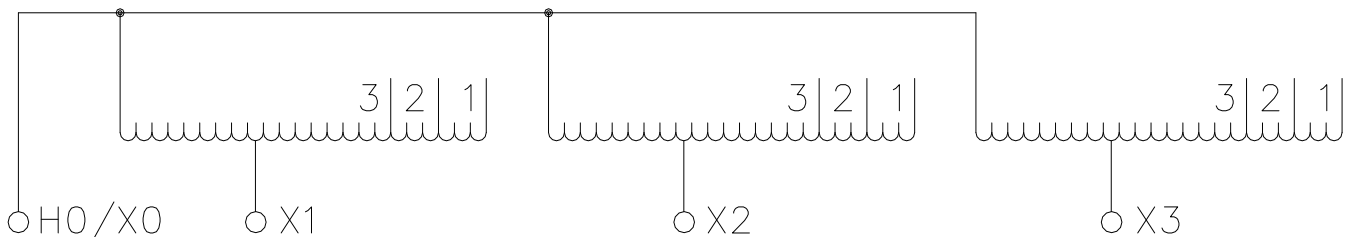


**WIRING AND CONNECTION DIAGRAM**

VOLT	LINE CONN
504	1-1-1
480	2-2-2
456	3-3-3
208	X1, X2, X3

Supply voltage may be connected to primary terminal marked "H" or secondary terminal marked "X"

Review CEC rule 26-266 or CEC handbook figure 26-12 for info



**NOTE: Preliminary drawing only.**  
 Specifications, configuration, and dimensions subject to change by Beaver's Engineering Dept.