

BOTTOM VIEW OF MOUNTING AND CABLE ENTRANCE


CUSTOMER TERMINATION			
LOCATION	CONNECTION TYPE	HOLE SIZE	HOLE QTY
PRIMARY BUS BARS	STANDARD BUS BAR (LUGS ARE OPTIONAL)	.41 [10.3] DIA	1 PER BUS BAR
SECONDARY BUS BARS			

APPROX TOTAL WEIGHT LBS [KG]
 PAINTED: 330 [149]
 STAINLESS STEEL: 350 [159]

kVA RATING: 30
 K-FACTOR: K1
 PRI VOLTAGE: 480
 SEC VOLTAGE: 208Y/120
 FREQ (Hz): 60 Hz
 TEMP RISE: 150C
 WINDING MATL: Aluminum
 ES SHIELD: NO
 SOUND LVL (dB): Std (45)

NOTES:

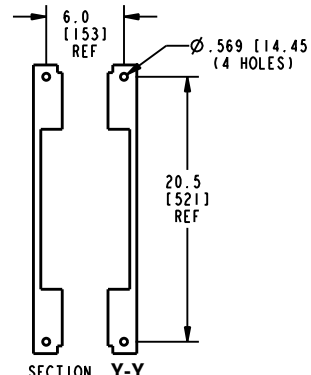
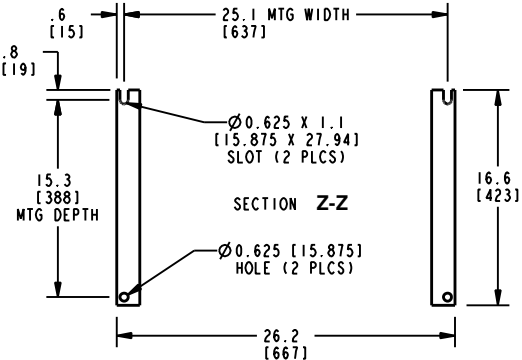
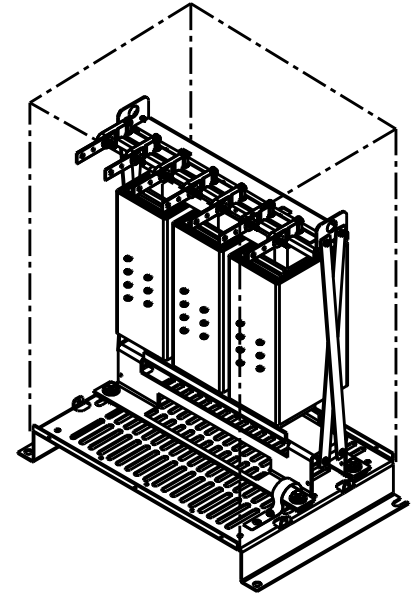
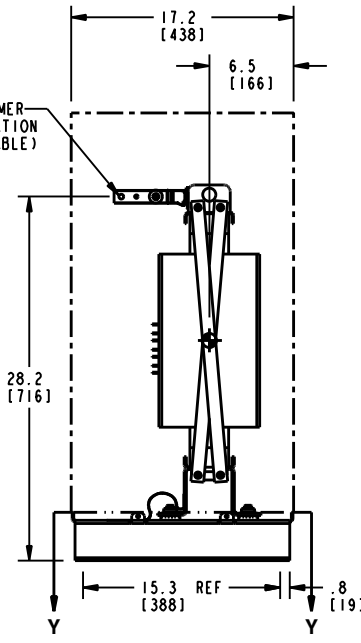
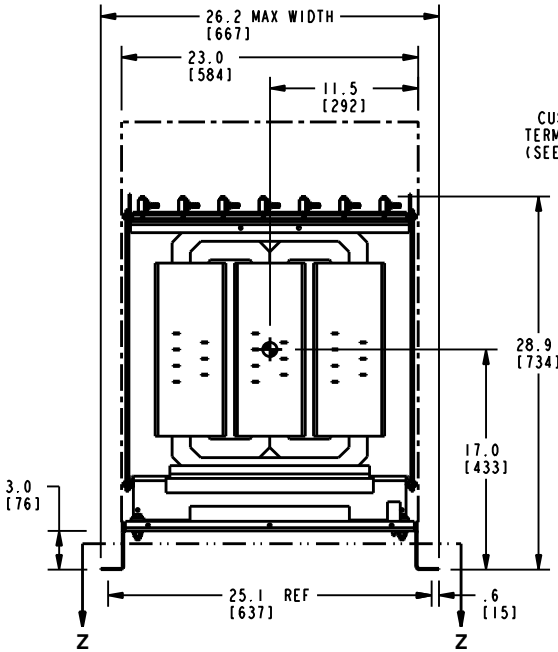
- 1) ALL UNITS ARE UL LISTED AND ARE DESIGNED PER NEMA ST-20 STANDARDS.
- 2) THE TEMPERATURE RISE LISTED WAS DETERMINED WHEN THE TRANSFORMER WAS MOUNTED IN A STANDARD NEMA-2 ENCLOSURE.
- 3) TRANSFORMER IS DESIGNED FOR FLOOR MOUNTING. OPTIONAL WALL MOUNTING BRACKETS ARE AVAILABLE.
- 4) TRANSFORMER IS DRY TYPE, CLASS AA, WITH VENTILATED ENCLOSURE FOR INDOOR USE. OPTIONAL RAINSHIELD KITS ARE AVAILABLE TO ADAPT UNIT FOR TYPE 3R OUTDOOR USE WITHOUT VOIDING THE WARRANTY.
- 5) APPLICABLE WHEN OPTIONAL RAINSHIELDS ARE INSTALLED. RAINSHIELDS ARE SHIPPED IN KITS FOR FIELD INSTALLATION.
- 6) CABLE ENTRANCE IS PERMITTED THROUGH THE LEFT SIDE, RIGHT SIDE AND/OR BOTTOM ENCLOSURE PANELS ONLY. CABLE ENTRANCE IS NOT PERMITTED THROUGH THE FRONT, REAR OR TOP PANELS.
- 7) FOR LIFTING OTHER THAN WITH A FORK TRUCK, REMOVE TOP COVER AND USE 1" [25 MM] DIAMETER HOLES IN THE TOP CORE CLAMPS.
- 8) ENCLOSURE PAINT COLOR IS ANSI #61 GRAY. OPTIONAL STAINLESS STEEL ENCLOSURE IS AVAILABLE. FINISH IS 80 GRIT.
- 9) 6" [152 MM] MINIMUM CLEARANCE IS REQUIRED FROM ALL WALLS.
- 10) USE THIS DIMENSION WHEN PLANNING THE MOUNTING PAD.

JOB NAME: SPEEDI PROP:	UNLESS OTHERWISE SPECIFIED ALL DIMENSIONS ARE INCH [MM]	 Transformers by ABB
	THIRD ANGLE PROJECTION	
electrification.us.abb.com	DRY TYPE TRANSFORMER OUTLINE DRAWING TYPE QL, 3-PHASE, DOE 2016 EFFICIENCY (ENCLOSED UNIT)	
CAD DRAWING: 303B111GEUXP72A	SHEET 1 OF 2	CATALOG # 9T10A1002 REV 1

FRONT VIEW

SIDE VIEW

ISOMETRIC VIEW



BOTTOM VIEW OF MOUNTING HOLE PATTERN

BOTTOM VIEW OF MOUNTING HOLE PATTERN WITHOUT BASE ATTACHED

CUSTOMER TERMINATION			
LOCATION	CONNECTION TYPE	HOLE SIZE	HOLE QTY
PRIMARY BUS BARS	STANDARD BUS BAR (LUGS ARE OPTIONAL)	.41 [10.3] DIA	1 PER BUS BAR
SECONDARY BUS BARS			

APPROX TOTAL WEIGHT LBS [KG]
 PAINTED: 280 [127]

kVA RATING: 30
 K-FACTOR: K1
 PRI VOLTAGE: 480
 SEC VOLTAGE: 208Y/120
 FREQ (Hz): 60 Hz
 TEMP RISE: 150C
 WINDING MATL: Aluminum
 ES SHIELD: NO
 SOUND LVL (dB): Std (45)

NOTES:

- 1) ALL UNITS ARE UL LISTED AND ARE DESIGNED PER NEMA ST-20 STANDARDS.
- 2) THE TEMPERATURE RISE LISTED WAS DETERMINED WHEN THE TRANSFORMER WAS MOUNTED IN A STANDARD NEMA-2 ENCLOSURE.
- 3) TRANSFORMER IS DRY TYPE, CLASS AA FOR INDOOR USE.
- 4) FOR LIFTING OTHER THAN WITH A FORK TRUCK, USE 1" [25 MM] DIAMETER HOLES IN THE TOP CORE CLAMPS.
- 5) BASE PAINT COLOR IS ANSI #61 GRAY.
- 6) 6" [152 MM] MINIMUM CLEARANCE IS REQUIRED FROM ALL WALLS.
- 7) ⦿ INDICATES APPROXIMATE CENTER OF GRAVITY.

JOB NAME:

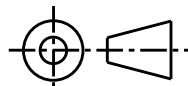
SPEEDI PROP:

electrification.us.abb.com

CAD DRAWING: 303B111GEUXP72A

UNLESS OTHERWISE SPECIFIED ALL DIMENSIONS ARE INCH [MM]

THIRD ANGLE PROJECTION



SHEET 2 OF 2



Transformers

by ABB

**DRY TYPE TRANSFORMER OUTLINE DRAWING
 TYPE QL, 3-PHASE, DOE 2016 EFFICIENCY
 (CORE & COIL UNIT)**

CATALOG # 9T10A1002

REV 1